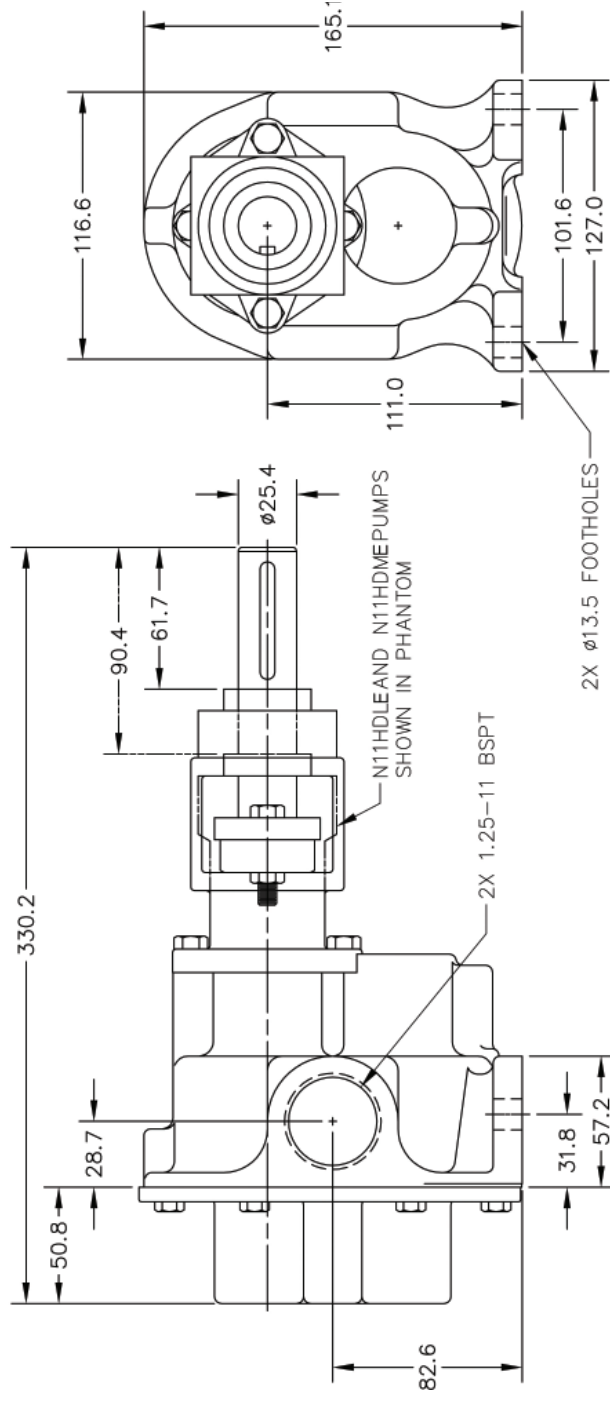


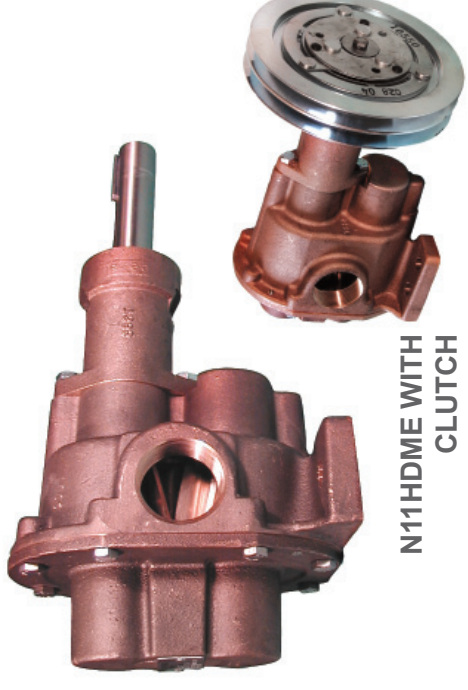
Bronze Pedestal Rotary Gear Pumps

N11HDE Series

Dimensions



1 1/4" BSPT Ports



Seal Options:

Model	Seal		Conversion Kit
	Type	Material	
N11HDPE	Packing	Acrylic-Graphite	11021
N11HDLE	Lip	FKM-PTFE	11023
N11HDME	Mechanical	NBR-Ceramic	11025
N11HDPE-1	Packing	PTFE	11022
N11HDLES3	Lip	NBR	11024
N11HDMES7	Mechanical	FKM-Ceramic	11026
N11HDMES8	Mechanical	EPDM	TBD

FEATURES:

- All Bronze Castings and Stainless Steel Shafts
- Sealing Arrangement Interchangeable in Field with Proper Kit
- Outboard Ball Bearing Support
- Self Lubricating Carbon Bearings
- Electric Clutch (Options)

SERVICE WEAR FACTORS:

Speed - High speed accelerates wear. For longer service life keep speed as low as possible. Pump speeds above 900 RPM not recommended except for intermittent duty and pressures below 7 bar.

Pressure - High pressure accelerates wear. For longer service life keep pressure as low as possible.

Liquid Temperature - High temperature accelerates wear. Keep as close to room temperature as possible.

Liquid Contamination - Impurities like fine abrasive silt or sand accelerate wear. Keep liquid as clean as possible.

OBERDORFER PUMPS

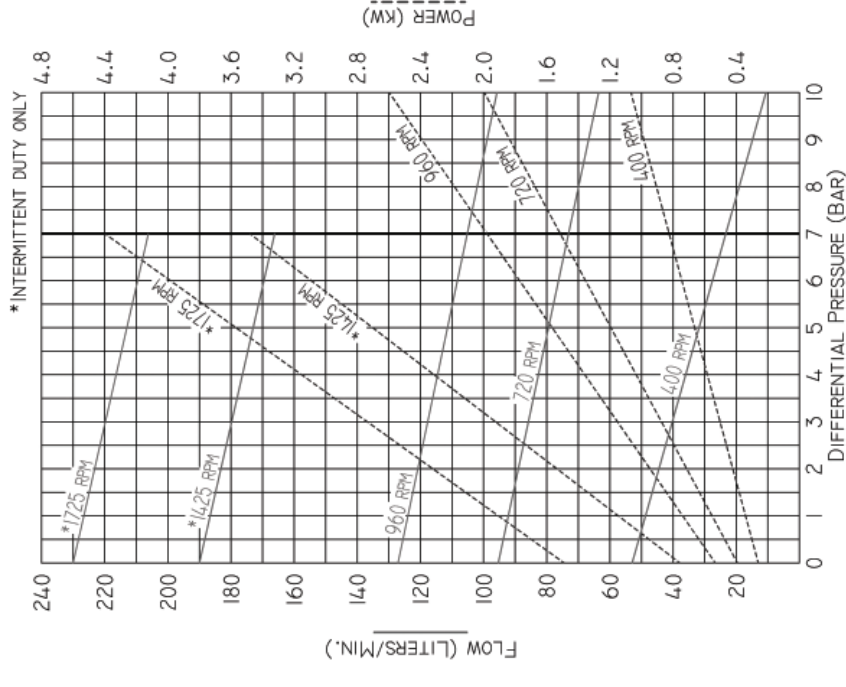
by Gardner Denver

Bronze Pedestal Rotary Gear Pumps

N11HDE Series

PERFORMANCE:

Values @ 1cP, 20° C



Note: Dotted lines (---) recommended for intermittent duty only due to accelerated wear at high speeds and pressures.

Liquid Lubricity - Lubricants increase service life many fold. Use lubricant additives whenever possible.

Noise - Large gear pumps are inherently noisy due to metal to metal gear contact. Make installations far removed from offices or other relatively quiet people areas. Some noise reduction can be realized by lowering pump speed and use of isolation mounts and lines, usually the small amount of noise reduction achieved does not justify the effort and expense.

Drive & Alignment - Direct drive is the recommended drive arrangement. This pump is suitable for belt drive applications without needing pillow block bearings to achieve acceptable pump life. Correct alignment is absolutely essential for satisfactory pump life. Recheck alignment after piping has been connected to the pump. Electric clutch versions available.

OBERDORFER PUMPS

by Gardner Denver

5900 Firestone Drive, Syracuse, NY 13206

Phone: (800) 448-1668; (315) 437-0361 • Fax: (315) 463-9561

NBR = Acrylonitrile-Butadiene PTFE = Polytetrafluoroethylene FKM = Fluoroelastomer

Visit www.oberdorfer-pumps.com to find in-depth descriptions of the world's leading high-quality, dependable pumps.

Due to ongoing product improvements, data shown here is subject to change without notice. Contact Oberdorfer Pumps for latest specifications.

N11HDE Series | 1/2014

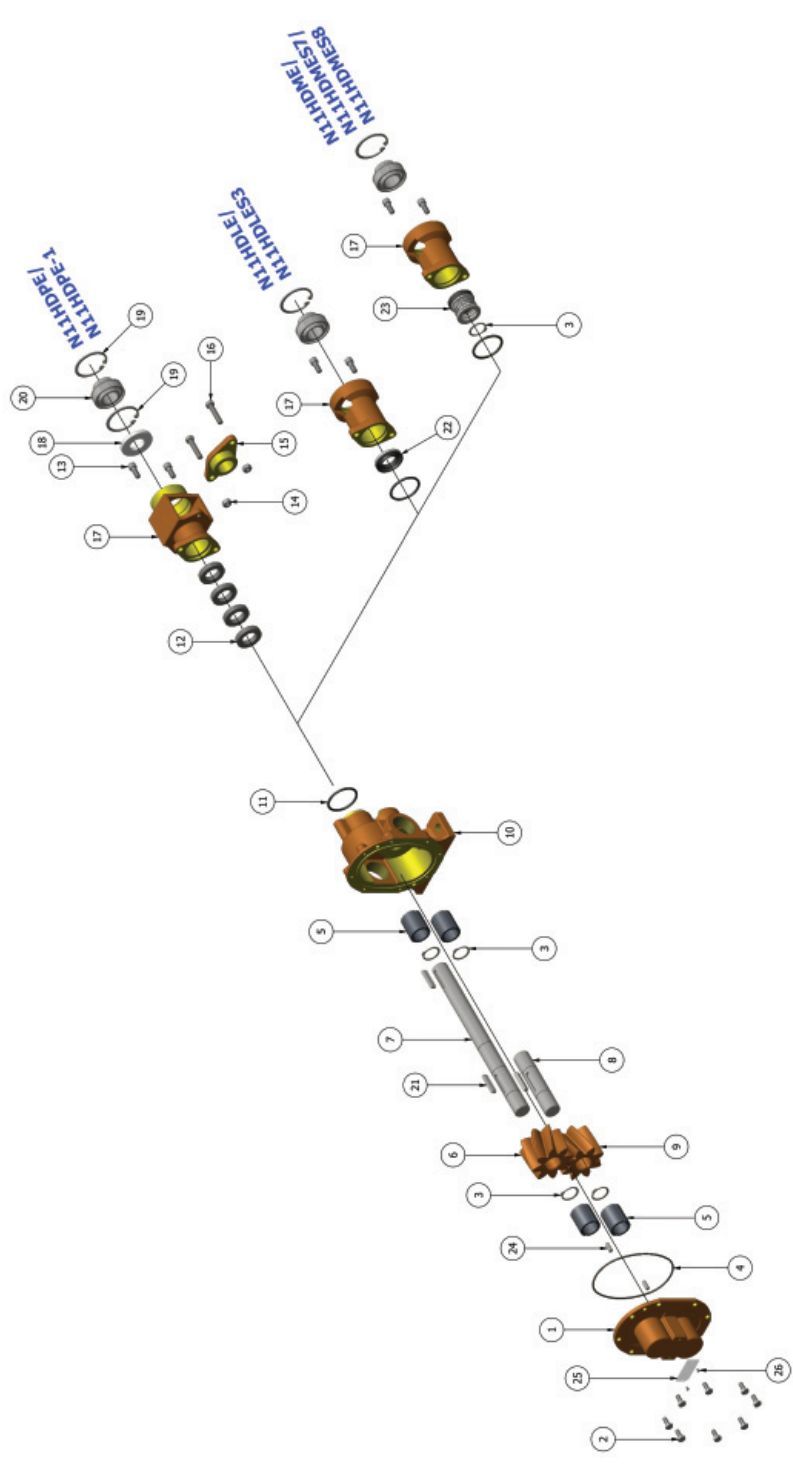
Bronze Pedestal Rotary Gear Pumps N11HDE Series

SEAL CONVERSION KITS:

Seal conversion kits illustrated (on back) are designed for quick removal and replacement. In each case, seal housings are fastened to pump bodies by means of 2 bolts, item 13.

IMPORTANT: Before attempting to remove a seal housing containing seal components by sliding them off the pump shaft, be sure to unlock 2 set screws locking the ball bearing inner race to the pump shaft. The ball bearing is identified as item 20. Also, before attempting to slide the seal housing from the pump shaft, remove all burrs, scale, and projections that could be formed by fretting corrosion.

Exploded View



Parts List

	1	2	3	4	5	6	7	8	9	10	11	12	13
Model	Cover	Screw	Snap Ring	O-Ring	Bearing	Drive Gear	Drive Shaft	Idle Shaft	Idle Gear	Body	O-Ring	Packing Ring	Screw
N11HDPE	Qty. 1	Qty. 8	Qty. 4/5	Qty. 1	Qty. 4	Qty. 1	Qty. 1	Qty. 1	Qty. 1	Qty. 1	Qty. 1	Qty. 4	Qty. 2
N11HDPE-1	9333NN5N	5393	7651 (4)	9797-158	5108	9833	7366	7652	9834	9331NG7N-E	6515	7624	6827
N11HDLE	9333NN5N	5393	7651 (4)	9797-158	5108	9833	7366	7652	9834	9331NG7N-E	6515	7450	6827
N11HDLES3	9333NN5N	5393	7651 (4)	9797-158	5108	9833	7366	7652	9834	9331NG7N-E	9797-224	N/A	6827
N11HDME	9333NN5N	5393	7651 (5)	9797-158	5108	9833	7366	7652	9855	9331NG7N-E	6515	N/A	6827
N11HDMES7	9333NN5N	5393	7651 (5)	9797-158	5108	9833	7366	7652	9834	9331NG7N-E	9797-224	N/A	6827
N11HDMES8	9333NN5N	5393	7651 (5)	9999-158	5108	9833	7366	7652	9834	9331NG7N-E	6515	N/A	6827

	14	15	16	17	18	19	20	21	22	23	24	25	26
Model	Nut	Gland	Screw	Seal Housing	Lip Seal	Snap Ring	Ball Bearing	Key	Lip Seal	Seal Assy	Dowel Pin	Tag	Tag Screw
N11HDPE	Qty. 2	Qty. 1	Qty. 2	Qty. 1	Qty. 1/2	Qty. 1	Qty. 1	Qty. 1	Qty. 3	Qty. 1	Qty. 2	Qty. 1	Qty. 2
N11HDPE-1	8395	7451	9905	7449	7372 (2)	7368	6518	6518	N/A	N/A	8597	9344	9345
N11HDLE	N/A	N/A	N/A	7365	7372 (1)	7368	6518	6518	7262	N/A	8597	9344	9345
N11HDLES3	N/A	N/A	N/A	7365	7372 (1)	7368	6518	6518	6500	N/A	8597	9344	9345
N11HDME	N/A	N/A	N/A	7365	7372 (1)	7368	6518	6518	N/A	32315	8597	9344	9345
N11HDMES7	N/A	N/A	N/A	7365	7372 (1)	7368	6518	6518	N/A	32372	8597	9344	9345
N11HDMES8	N/A	N/A	N/A	7365	7372 (1)	7368	6518	6518	N/A	33335	8597	9344	9345

Repair kit contain items 3, 4, 5, 6, 7, 8, 9, 11, 12, 18, 22 & 23

Clutch Drive Options

Model	Clutch Drive Options						7	17
	Clutch Body	Clutch Coil	Clutch Assembly	Pump Repair Kit	Drive Shaft	Seal Housing		
N11HDME-E12	Gear Pump, Mechanical Seal with 12V Clutch	7227	7224	32238		Qty. 1	Qty. 1	
N11HDME-E24	Gear Pump, Mechanical Seal with 24V Clutch	7227	9902	33066	12013	7722-1	9169-1	
N11HDME-E32	Gear Pump, Mechanical Seal with 32V Clutch	7227	7225	32239		7722-1	9169-1	