



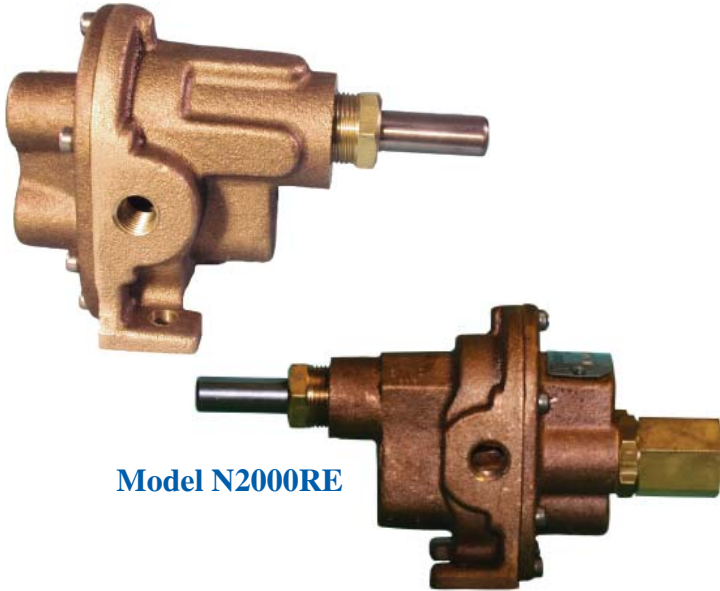
OBARDORFER PUMPS

by Gardner Denver

Bronze Pedestal Rotary Gear Pumps

N2000E Series

Model N2000E 1/2" BSPT Ports



Model N2000RE

FEATURES:

- Bronze corrosion resistant castings
- Special cast bronze helical gears for quiet operation
- Stainless steel shafts & fasteners
- Shaft seal choices: Packing, Lip, Mechanical
- Heavy duty carbon bearings (Self Lubrication)
- Positive displacement flow

DRIVE:

Either direct drive with flexible coupling or pulley drive can be used. Make sure both flexible coupling halves are properly aligned. When using a pulley, do not overtighten the belt. Also, to absorb belt side thrust at higher pressures and larger size pumps, an external ball bearing support is recommended -- consult factory.

LIQUIDS AND TEMPERATURE:

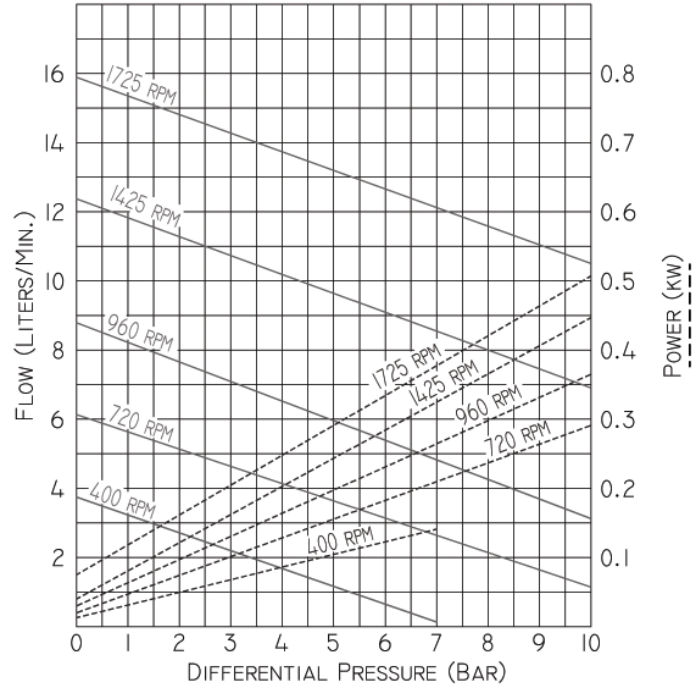
Service life will be increased substantially if the liquid pumped is clean and has some degree of lubricity. These positive displacement pumps have tight tolerances. Fine abrasives like sand, silt, or powders in suspension will accelerate pump wear and reduce throughput.

Liquids compatible with bronze and stainless steel can be pumped providing proper seal has been specified (see chemical compatibility or check factory). No carbon bearings used. When possible, flush the pump after each usage.

Temperature extremes are detrimental to service life and should be avoided. Basic metals of construction allow a temperature range of -40° to 200° C. Some lip seal elastomers have a limit of 100° C. (see engineering data or check factory). Allowing a liquid to freeze in the pump can cause damage.

PERFORMANCE:

Values @ 1cP, 20° C



* For pressures over 7 bar, the above selections are suitable for pumping fluids with lubricity (eq. oils, polymers). Service life will decrease for fluids without lubricity (eq. water, solvents).

SUCTION LIFT:

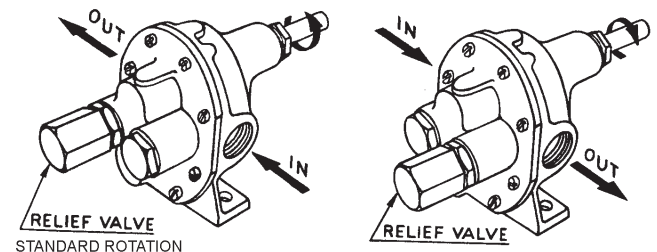
Close tolerances and the positive pumping action make the rotary gear pump capable of lifting water on the suction side as high as 6 meters. Though gear pumps are self priming, a foot valve is recommended. If possible, wet the gears with liquid to be pumped for the first dry start. Liquid retained in the system and gear chambers serves to "wet" the pump on subsequent starts.

BY-PASS AND ROTATION:

The pump by-pass is not intended to be a metering or flow control device. Its main purpose is to function as a pressure relief when the desired set point is exceeded, overheating can occur within 5 - 10 minutes if the discharge line is completely shut off for extended periods.

Reversing rotation reverses the "IN" and "OUT" ports and the location of the by-pass ports have to be reversed.

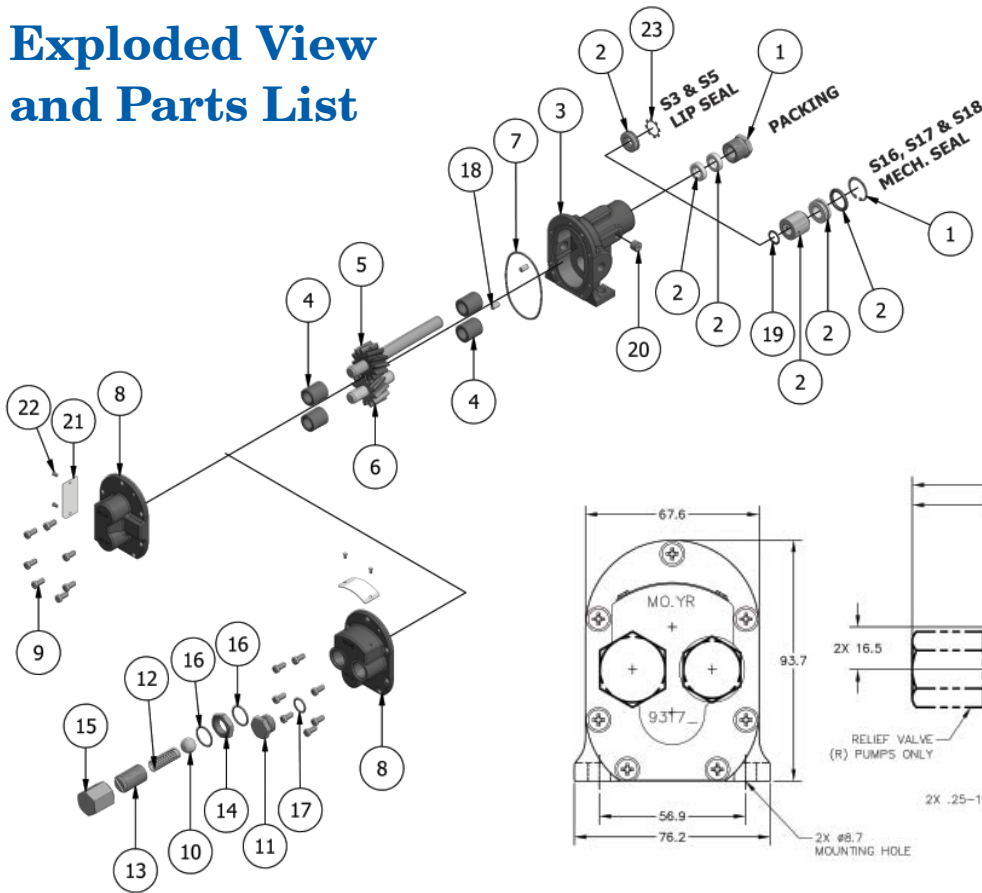
The by-pass valve is factory set at 3.5 bar. To increase the setpoint, turn the by-pass valve adjusting screw in a clockwise direction.



Bronze Pedestal Rotary Gear Pumps

N2000E Series

Exploded View and Parts List

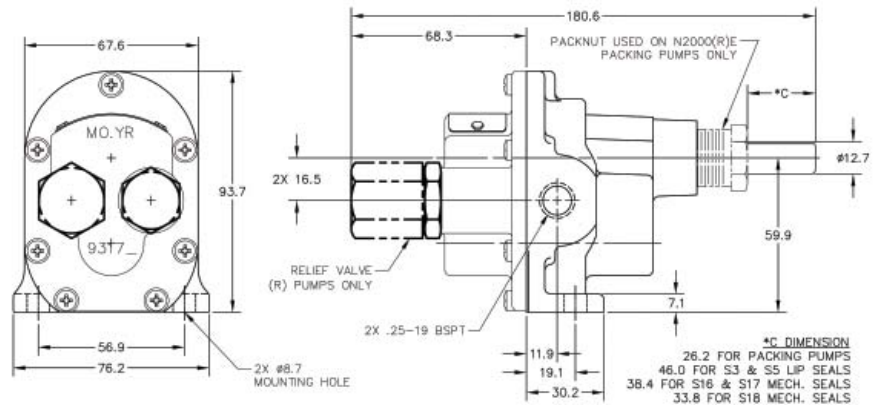


Items 8 and items 10-17 for the "R" versions only.

Item 23 is only used on N2000ES5 pumps.

Item 20 is only used on N2000ES18 pumps.

Dimensions



		1	2	3	4	5	6	7	8	9	10	
		Packnut or Retaining Ring	Packing	Seal	Body	Bearing	Drive Gear Assy	Idle Gear Assy	O-Ring	Cover	Screw	Ball
Model	Seal Arrangement	Qty. 1	Qty. 2	Qty. 1	Qty. 1	Qty. 4	Qty. 1	Qty. 1	Qty. 1	Qty. 1	Qty. 7	Qty. 1
N2000E	Packing	1892	5481	NA	9315NB1N-E	5024	32992	32993	9797-038	9316NN5N	5385	NA
N2000ES3	NBR Lip	NA	NA	5007	9315NB2N-E	5024	32992	32993	9797-038	9316NN5N	5385	NA
N2000ES5	FKM Lip	NA	NA	7580	9315NB2N-E	5024	32992	32993	9797-038	9316NN5N	5385	NA
N2000ES16	NBR Bellows Mech.	7639	NA	32584	9371NB4N-E	5024	33000	32993	9797-038	9316NN5N	5385	NA
N2000ES17	FKM Bellows Mech.	7639	NA	32585	9371NB4N-E	5024	33000	32993	9797-038	9316NN5N	5385	NA
N2000ES18	PTFE Wedge Mech.	7639	NA	32335	9371NB6N-E	5024	33000	32993	9355-038	9316NN5N	5385	NA
Relief Valve Versions: N2000RE, N2000RES3, N2000RES5, N2000RES16, N2000RES17, N2000RES18										9317NN5B	NA	5238

	11	12	13	14	15	16	17	18	19	20	21	22	23	Repair Kit
	Plug Nut	Spring	Adj. Screw	Locknut	Bypass Nut	O-Ring	O-Ring	Dowel Pin	Retaining Ring	Pipe Plug	Tag	Tag Screw	Lock Ring	
Model	Qty. 1	Qty. 1	Qty. 1	Qty. 1	Qty. 1	Qty. 2	Qty. 1	Qty. 2	Qty. 1	Qty. 1	Qty. 1	Qty. 2	1 req'd	
N2000E	NA	NA	NA	NA	NA	NA	NA	8885	NA	NA	9344	9345	NA	10641
N2000ES3	NA	NA	NA	NA	NA	NA	NA	8885	NA	NA	9344	9345	NA	11379
N2000ES5	NA	NA	NA	NA	NA	NA	NA	8885	NA	NA	9344	9345	7626	11195
N2000ES16	NA	NA	NA	NA	NA	NA	NA	8885	5373	NA	9344	9345	NA	11970
N2000ES17	NA	NA	NA	NA	NA	NA	NA	8885	5373	NA	9344	9345	NA	12103
N2000ES18	NA	NA	NA	NA	NA	NA	NA	8885	5373	6052	9344	9345	NA	12225
Relief Valve Versions	1838	1840	5237	5240D	5239	9797-019	9797-015	NA	NA	NA	NA	NA	NA	NA

* Repair kit contains items 2, 4, 5, 6, 7

NBR = Acrylonitrile-Butadiene PTFE = Polytetrafluorethylene FKM = Fluoroelastomer



OBARDORFER PUMPS

by Gardner Denver

5900 Firestone Drive, Syracuse, NY 13206

Phone: (800) 448-1668; (315) 437-0361 • Fax: (315) 463-9561

Visit www.oberdorfer-pumps.com to find in-depth descriptions of the world's leading high-quality, dependable pumps.

Due to ongoing product improvements, data shown here is subject to change without notice. Contact Oberdorfer Pumps for latest specifications.

N2000ESeries.062014