



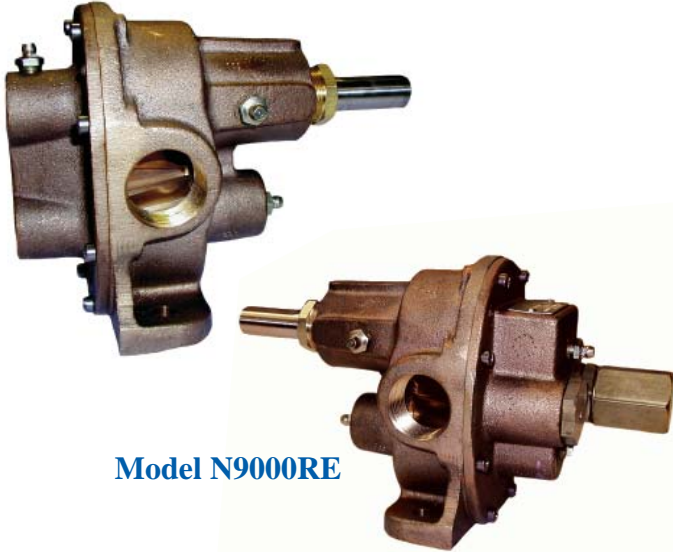
OBARDORFER PUMPS

by Gardner Denver

Bronze Pedestal Rotary Gear Pumps

N9000E Series

Model N9000E 1" BSPT Ports



Model N9000RE

FEATURES:

- Bronze Corrosion Resistant Castings
- Special Cast Bronze Gears
- Stainless Steel Shafts & Fasteners
- Formed Ring Seal Packing (Lip & Mechanical Seals are available)
- Heavy Duty Carbon Bearings (Self Lubricating)
- Positive Displacement Flow

DRIVE:

Either direct drive with flexible coupling or pulley drive can be used. Make sure both flexible coupling halves are properly aligned. When using a pulley, do not overtighten the belt. Also, to absorb belt side thrust at higher pressures and larger size pumps, an external ball bearing support is recommended -- consult factory.

LIQUIDS AND TEMPERATURE:

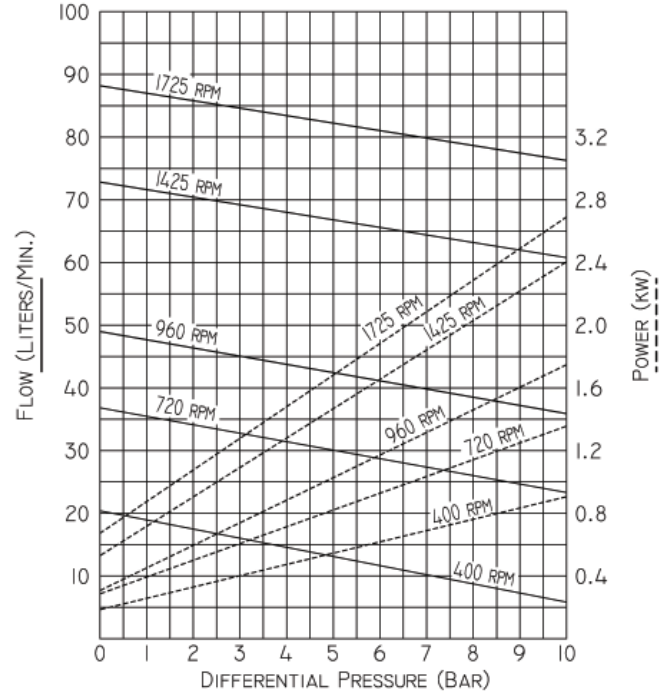
Service life will be increased substantially if the liquid pumped is clean and has some degree of lubricity. These positive displacement pumps have tight tolerances. Fine abrasives like sand, silt, or powders in suspension will accelerate pump wear and reduce throughput.

Liquids compatible with bronze and stainless steel can be pumped providing proper seal has been specified (see chemical compatibility or check factory). When possible, flush the pump after each usage.

Temperature extremes are detrimental to service life and should be avoided. Basic metals of construction allow a temperature range of -40° to 200° C Some lip seal elastomers have a limit of 100° C. (See engineering data or check factory.) Allowing a liquid to freeze in the pump can cause damage.

PERFORMANCE:

Values @ 1cP, 20° C



* For pressures over 7 bar, the above selections are suitable for pumping fluids with lubricity (eq. oils, polymers). Service life will decrease for fluids without lubricity (eq. water, solvents).

SUCTION LIFT:

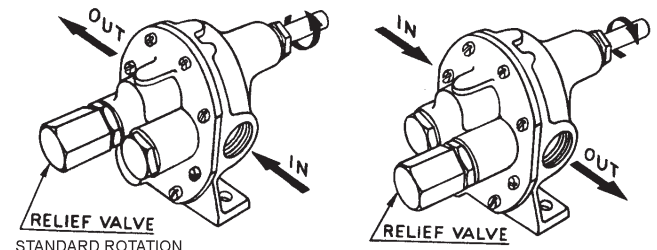
Close tolerances and the positive pumping action make the rotary gear pump capable of lifting water on the suction side as high as 6 meters. Though gear pumps are self priming, a foot valve is recommended. If possible, wet the gears with liquid to be pumped for the first dry start. Liquid retained in the system and gear chambers serves to “wet” the pump on subsequent starts.

BY-PASS AND ROTATION:

The pump by-pass is not intended to be a metering or flow control device. Its main purpose is to function as a pressure relief when the desired set point is exceeded, overheating can occur within 5 -10 minutes if the discharge line is completely shut off for extended periods.

Reversing rotation reverses the “IN” and “OUT” ports and the location of the by-pass ports have to be reversed.

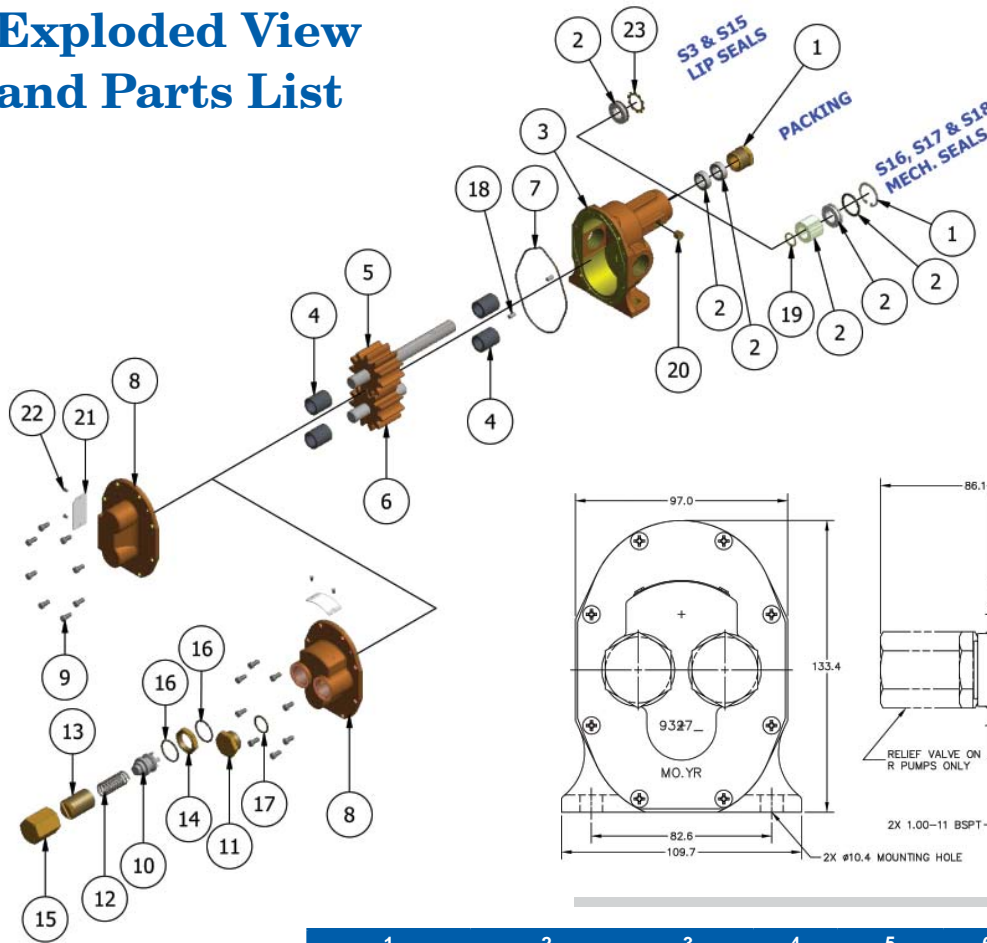
The by-pass valve is factory set at 50 psi. To increase the setpoint, turn the by-pass valve adjusting screw in a clockwise direction.



Bronze Pedestal Rotary Gear Pumps

N9000 Series

Exploded View and Parts List

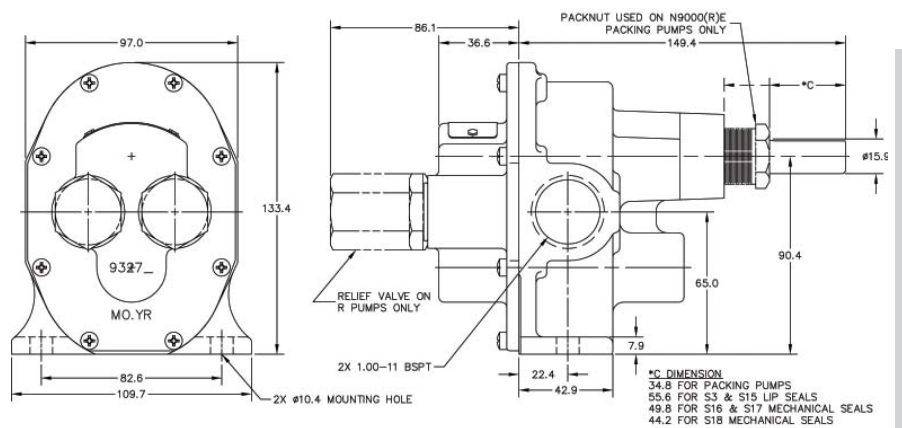


Item 8 and items 10-17 for the "R" versions only.

Item 23 is only used on N9000ES15 pumps.

Item 20 is only used on N9000ES18 pumps.

Dimensions



Model	Seal Arrangement	1 Packnut or Retaining Ring	2 Packing	3 Seal	4 Body	5 Bearing	6 Drive Gear Ass'y	7 Idle Gear Ass'y	8 O-ring	9 Cover	10 Screw	11 Poppet
N9000E	Packing	Qty. 1762	Qty. 5479	Qty. NA	Qty. 9325NF1N-E	Qty. 5091	Qty. 33019	Qty. 33020	Qty. 9797-045	Qty. 9326NN5N	Qty. 5385	Qty. NA
N9000ES3	NBR Lip	NA	NA	Qty. 5463	Qty. 9325NF2N-E	Qty. 5091	Qty. 33019	Qty. 33020	Qty. 9797-045	Qty. 9326NN5N	Qty. 5385	Qty. NA
N9000ES15	FKM Lip	NA	NA	Qty. 9997	Qty. 9325NF2N-E	Qty. 5091	Qty. 33019	Qty. 33020	Qty. 9797-045	Qty. 9326NN5N	Qty. 5385	Qty. NA
N9000ES16	NBR Bellows Mech.	Qty. 5374	NA	Qty. 32202	Qty. 9375NF9N-E	Qty. 5091	Qty. 33042	Qty. 33020	Qty. 9797-045	Qty. 9326NN5N	Qty. 5385	Qty. NA
N9000ES17	FKM Bellows Mech.	Qty. 5374	NA	Qty. 32235	Qty. 9375NF9N-E	Qty. 5091	Qty. 33042	Qty. 33020	Qty. 9797-045	Qty. 9326NN5N	Qty. 5385	Qty. NA
N9000ES18	PTFE Wedge Mech.	Qty. 5374	NA	Qty. 32923	Qty. 9375NF6N-E	Qty. 5091	Qty. 33042	Qty. 33020	Qty. 9355-045	Qty. 9326NN5N	Qty. 5385	Qty. NA
Relief Valve Versions: N9000RE, N9000RES3, N9000RES15, N9000RES16, N9000RES17, N9000RES18										Qty. 9327NN5B	Qty. 3292	

Model	11 Plug Nut	12 Spring	13 Adj. Screw	14 Locknut	15 Bypass Nut	16 O-Ring Locknut	17 O-Ring Plug Nut	18 Dowel Pin	19 Tag	20 Tag Screw	21 Pipe Plug	22 Retaining Ring	23 Lock Ring	Repair Kit
N9000E	Qty. NA	Qty. NA	Qty. NA	Qty. NA	Qty. NA	Qty. NA	Qty. NA	Qty. 8885	Qty. 9344	Qty. 9345	Qty. NA	Qty. NA	Qty. NA	Qty. 10639
N9000ES3	NA	NA	NA	NA	NA	NA	NA	8885	9344	9345	NA	NA	NA	10783
N9000ES15	NA	NA	NA	NA	NA	NA	NA	8885	9344	9345	NA	NA	3033	12108
N9000ES16	NA	NA	NA	NA	NA	NA	NA	8885	9344	9345	NA	5382	NA	12125
N9000ES17	NA	NA	NA	NA	NA	NA	NA	8885	9344	9345	NA	5382	NA	12126
N9000ES18	NA	NA	NA	NA	NA	NA	NA	8885	9344	9345	6052	5382	NA	12127
Relief Valve Versions	5278R	5277	5275	1642D	5276	9797-022	9797-019							

All Repair Kits contain items 2, 4, 5, 6, 7

NBR = Acrylonitrile-Butadiene PTFE = Polytetrafluorethylene FKM = Fluoroelastomer



OBARDORFER PUMPS

by Gardner Denver

5900 Firestone Drive, Syracuse, NY 13206

Phone: (800) 448-1668; (315) 437-0361 • Fax: (315) 463-9561

Visit www.oberdorfer-pumps.com to find in-depth descriptions of the world's leading high-quality, dependable pumps.

Due to ongoing product improvements, data shown here is subject to change without notice. Contact Oberdorfer Pumps for latest specifications.

N9000series.082014